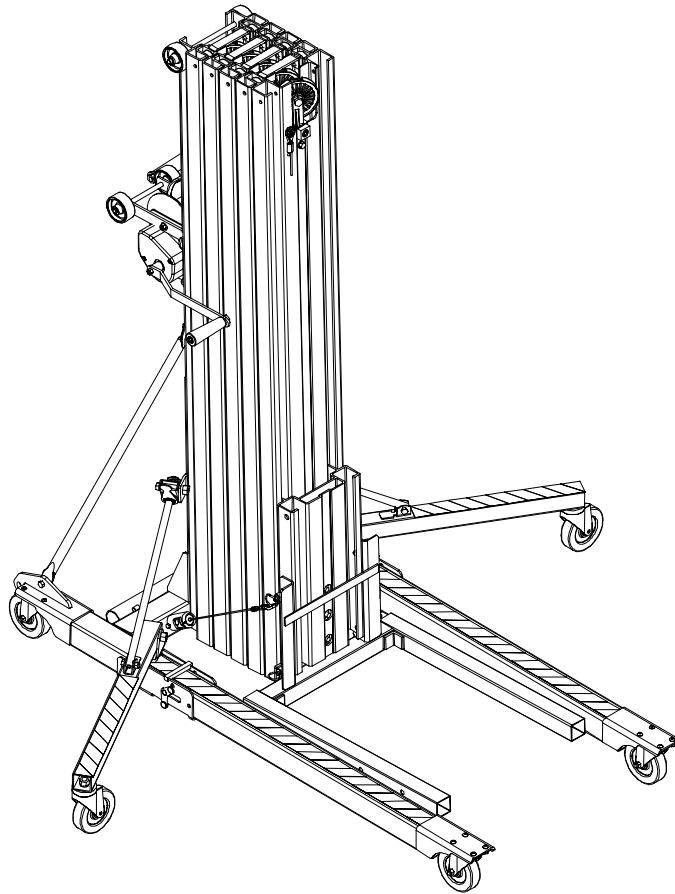

PARTS MANUAL

2010, 2015, 2020, 2025 SERIES

MATERIAL LIFTS

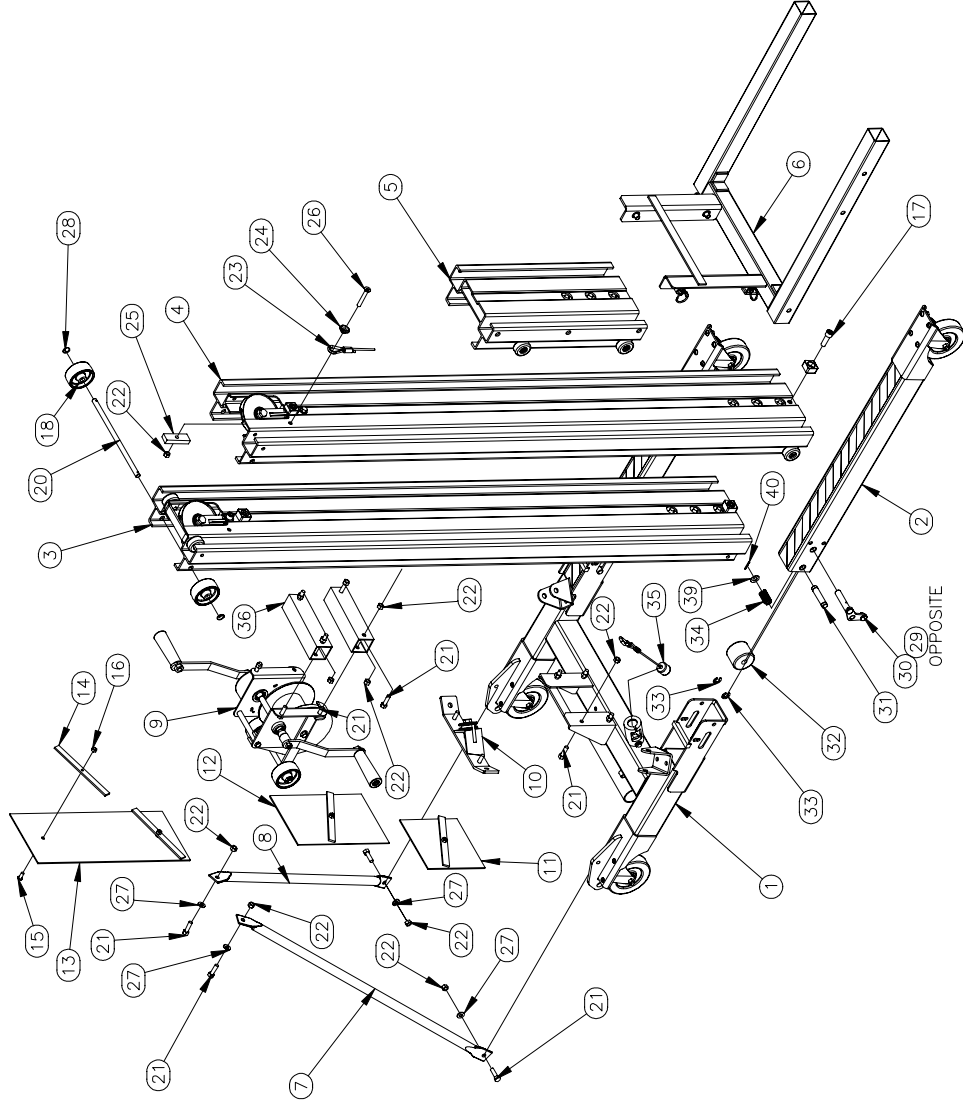


SUMNER[®]

7514 Alabonson Rd. Houston, Texas 77088 281-999-6900 281-999-6966 (fax)
51A Caldari Rd., #16 Concord, Ontario L4K 4G3 905-775-0305 905-775-4275 (fax)
Unit F1 Halesfield 4 Telford, Shropshire, UK TF7 4AP 011-44-1952-585671 (fax)

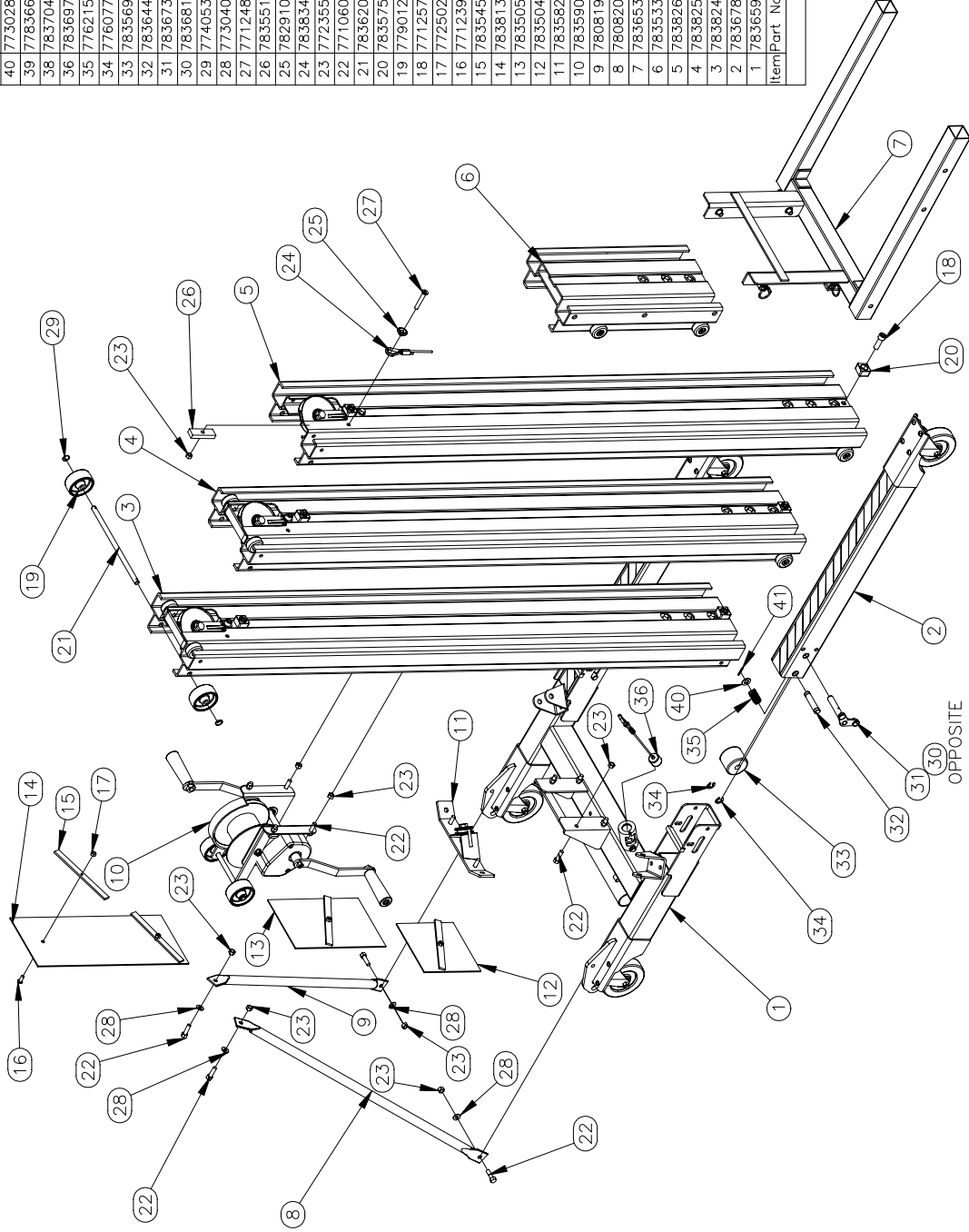
2010 MATERIAL LIFT ASSEMBLY

40	7774095	2	ROLL PIN 1/8 x 1
39	7773028	2	FLAT WASHER 5/8
38	778365	2	MOD NO. LABEL-NOT SHOWN
37	783704	1	COM. LABELS-NOT SHOWN
36	783552	2	STANDOFF
35	783698	1	MAST LATCH ASSEMBLY
34	7776215	2	SPRING
33	776077	4	RETAINER 5233-62
31	783644	2	SHAFT
30	783673	1	LEG LOCK WELDMENT (RIGHT SIDE)
29	783681	1	LEG LOCK WELDMENT (LEFT SIDE)
28	774053	2	RING COTTER 3/4#
27	773040	4	WASHER FL 3/8
26	771248	1	FHSC 3/8 - 16 x 2"
25	783551	1	LOCK BLOCK
24	782910	1	RETAINER WASHER
23	783834	1	LOAD LINE ASSEMBLY
22	772355	19	INSERT LOCKNUT 3/8-16
21	771060	18	IHC'S 3/8 - 16 x 1-1/4
20	783620	1	ROLLER SHAFT
19	783575	2	STOP BLOCK
18	779012	2	3" ROLLER
17	771257	2	SHCS 1/2 - 13 x 1-1/2
16	772502	4	INSERT JAM LOCKNUT 5/16
15	771239	4	BHCS 5/16 - 18 x 3/4
14	783545	4	STRAP
13	783813	1	MAST COVER - UPPER
12	783505	1	MAST COVER - CENTER
11	783504	1	MAST COVER - LOWER
10	783582	1	SPREADER PLATE ASSEMBLY
9	783590	1	MX WINCH ASSY.
8	780819	1	MAST BRACE (LEFT HAND)
7	780820	1	MAST BRACE (RIGHT HAND)
6	783653	1	STD FORK ASSEMBLY
5	783533	1	CARRIAGE ASSEMBLY
4	783826	1	TOP MAST ASSEMBLY
3	783824	1	BOTTOM MAST ASSEMBLY
2	783678	2	LEG ASSEMBLY
1	783659	1	BASE ASSEMBLY
Item/Part No./Qty		Description	Parts List



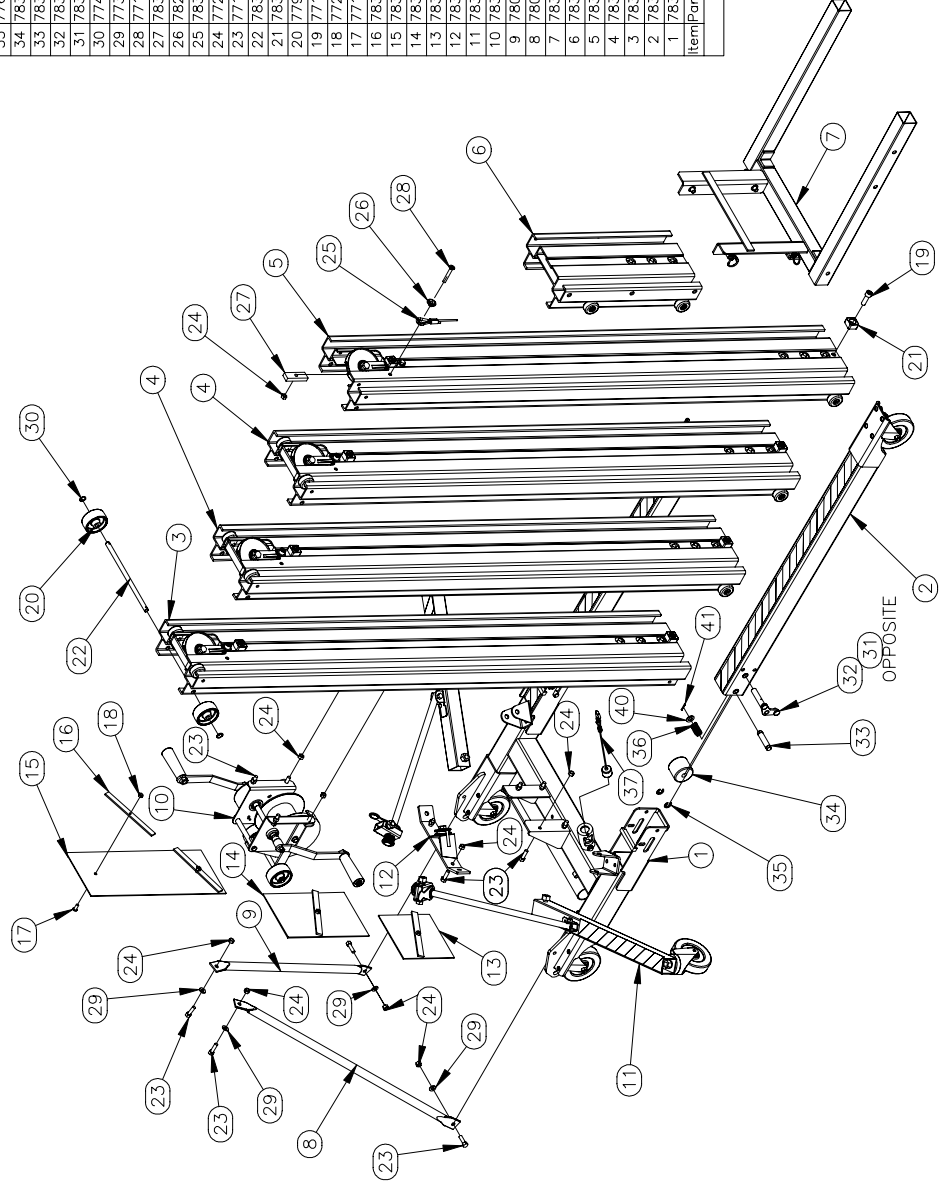
2015 MATERIAL LIFT ASSEMBLY

41	774095	2	ROLL PIN 1/8 x 1
40	773028	2	FLAT WASHER 5/8
39	778366	2	MOD. NO. LABEL-NOT SHOWN
38	783704	1	COM. LABELS-NOT SHOWN
36	783697	1	MAST LATCH ASSEMBLY
35	776215	2	SPRING
34	776077	4	RETAINER 5233-62
33	783569	2	ROLLER
32	783644	2	SHAFT
31	783673	1	LEG LOCK WELDMENT (RIGHT SIDE)
30	783681	1	LEG LOCK WELDMENT (LEFT SIDE)
29	774053	2	RING COTTER 3/4φ
28	773040	4	WASHER FL 3/8
27	771248	1	FHSC 3/8 - 16 x 2"
26	783551	1	LOCK BLOCK
25	782910	1	RETAINER WASHER
24	783834	1	LOAD LINE ASSEMBLY
23	772355	15	INSERT LOCKNUT 3/8-16
22	771060	14	HHCS 3/8 - 16 x 1-1/4
21	783620	1	ROLLER SHAFT
20	783575	3	STOP BLOCK
19	779012	2	3" ROLLER
18	771257	3	SHCS 1/2 - 13 x 1-1/2
17	772502	4	INSERT JAM LOCKNUT 5/16
16	771239	4	BHCS 5/16 - 18 x 3/4
15	783545	4	STRAP
14	783813	1	MAST COVER - UPPER
13	783505	1	MAST COVER - CENTER
12	783504	1	MAST COVER - LOWER
11	783582	1	SPREADER PLATE ASSEMBLY
10	783590	1	MAX WINCH ASSY.
9	780819	1	MAST BRACE (LEFT HAND)
8	780820	1	MAST BRACE (RIGHT HAND)
7	783653	1	STD. FORK ASSEMBLY
6	783533	1	CARRIAGE ASSEMBLY
5	783826	1	TOP MAST ASSEMBLY
4	783825	1	CENTER MAST ASSEMBLY
3	783824	1	BOTTOM MAST ASSEMBLY
2	783678	2	LEG ASSEMBLY
1	783659	1	BASE ASSEMBLY
Item/Part No.	Qty	Description	Parts List



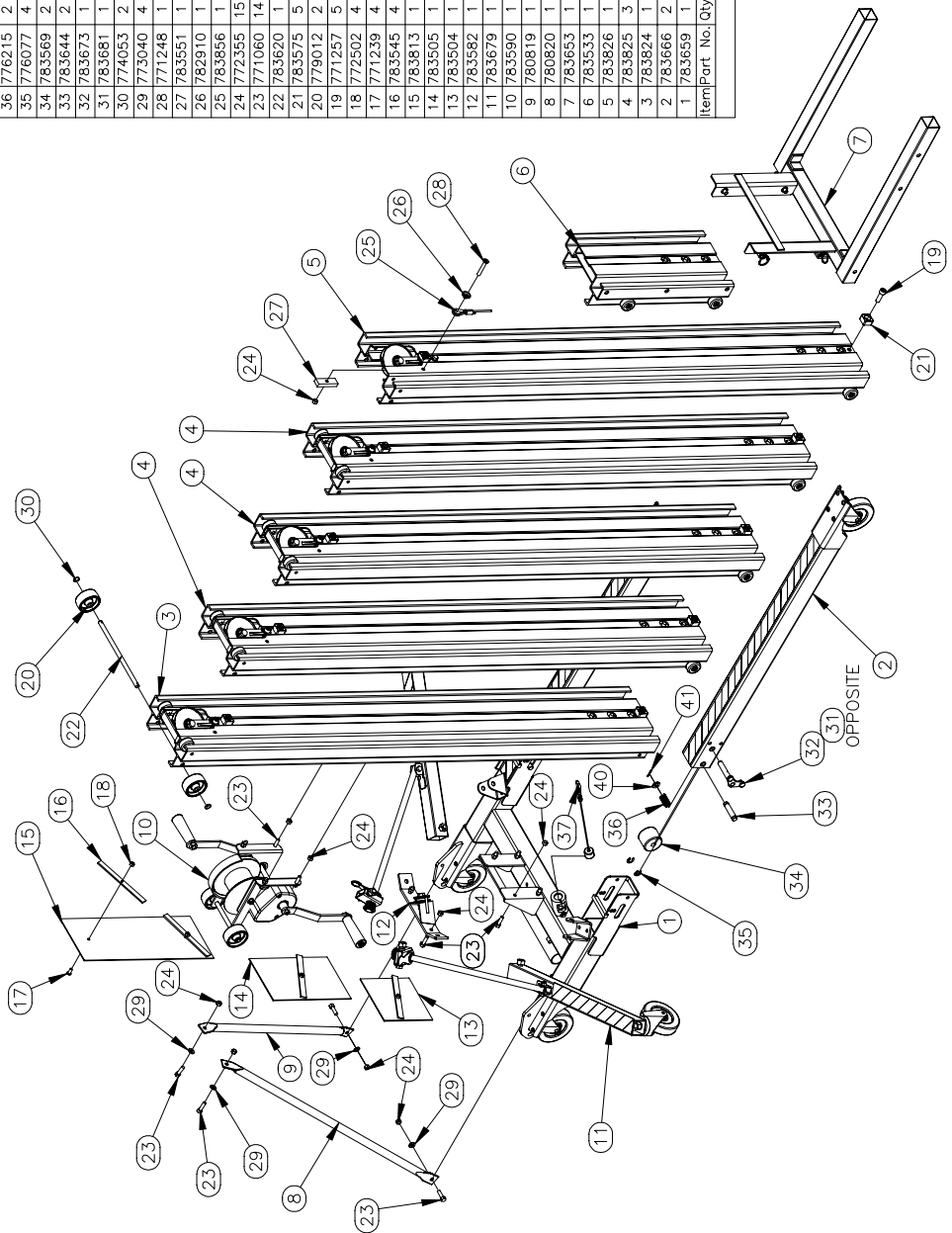
2020 MATERIAL LIFT ASSEMBLY

41	774095	2	ROLL PIN 1/8 x 1
40	773028	2	FLAT WASHER 5/8
39	778367	2	MOD NO. LABEL-NOT SHOWN
38	783704	1	COMMON LABELS-NOT SHOWN
37	783696	1	MAST LATCH ASSEMBLY
36	776215	2	SPRING
35	776077	4	RETAINER 5233-62
34	783569	2	ROLLER
33	783644	2	SHAFT
32	783673	1	LEG LOCK WELDMENT (RIGHT SIDE)
31	783681	1	LEG LOCK WELDMENT (LEFT SIDE)
30	774053	2	RING COTTER 3/4φ
29	773040	4	WASHER FL 3/8
28	771248	1	FHSC 3/8 - 16 x 2"
27	783551	1	LOCK BLOCK
26	782910	1	RETAINER WASHER
25	783856	1	LOAD LINE ASSEMBLY
24	772355	15	INSERT LOCKNUT 3/8-16
23	771060	14	HGCS 3/8 - 16 x 1-1/4
22	783620	1	ROLLER SHAFT
21	783575	4	STOP BLOCK
20	779012	2	3" ROLLER
19	771257	4	SHCS 1/2 - 13 x 1-1/2
18	772502	4	INSERT JAM LOCKNUT 5/16
17	771239	4	BHCS 5/16 - 18 x 3/4
16	783545	4	STRAP
15	783813	1	MAST COVER - UPPER
14	783505	1	MAST COVER - CENTER
13	783504	1	MAST COVER - LOWER
12	783582	1	SPREADER PLATE ASSEMBLY
11	783679	1	OUTRIGGER ASSEMBLY
10	783590	1	MX WINCH ASSY.
9	780819	1	MAST BRACE (LEFT HAND)
8	780820	1	MAST BRACE (RIGHT HAND)
7	783653	1	STD FORK ASSEMBLY
6	783533	1	CARRIAGE ASSEMBLY
5	783826	1	TOP MAST ASSEMBLY
4	783825	2	CENTER MAST ASSEMBLY
3	783824	1	BOTTOM MAST ASSEMBLY
2	783666	2	LEG ASSEMBLY
1	783659	1	BASE ASSEMBLY
Item/Part No.		Qty	Description
			Parts List

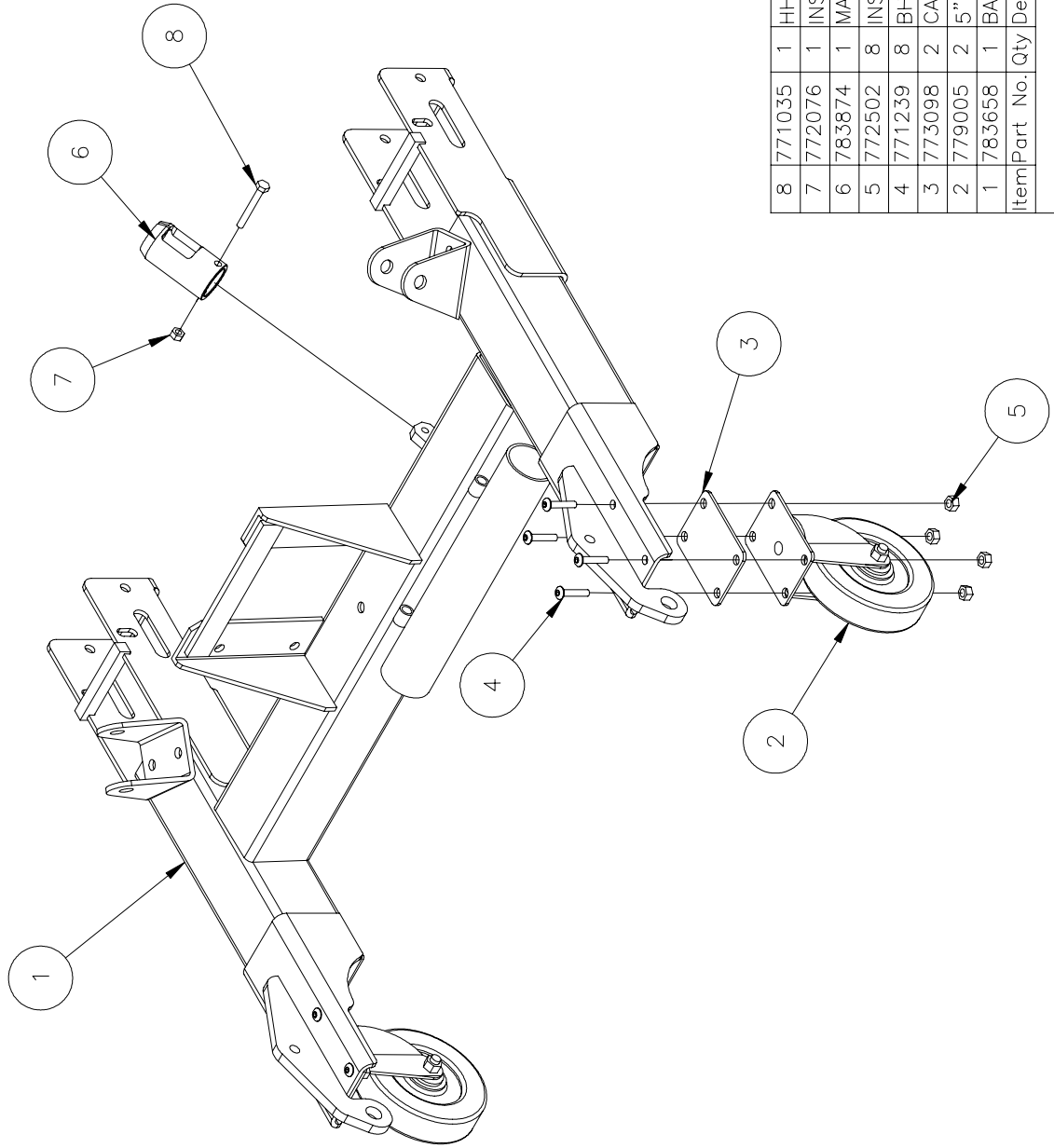


2025 MATERIAL LIFT ASSEMBLY

41	774095	2	ROLL PIN 1/8 x 1
40	773028	2	FLAT WASHER 5/8
39	778368	2	MOD NO. LABEL-NOT SHOWN
38	783704	1	COM. LABELS-NOT SHOWN
37	783699	1	MAST LATCH ASSEMBLY
36	776215	2	SPRING
35	776077	4	RETAINER 5233-62
34	783569	2	ROLLER
33	783644	2	SHAFT
32	783673	1	LEG LOCK WELDMENT (RIGHT SIDE)
31	783681	1	LEG LOCK WELDMENT (LEFT SIDE)
30	774053	2	RING COTTER 3/4φ
29	773040	4	WASHER FL 3/8
28	771248	1	FHSC 3/8 - 16 x 2"
27	783551	1	LOCK BLOCK
26	782910	1	RETAINER WASHER
25	783856	1	LOAD LINE ASSEMBLY
24	772355	15	INSERT LOCKNUT 3/8-16
23	771060	14	HHCS 3/8 - 16 x 1-1/4
22	783620	1	ROLLER SHAFT
21	783575	5	STOP BLOCK
20	779012	2	3" ROLLER
19	771257	5	SHCS 1/2 - 13 x 1-1/2
18	772502	4	INSERT JAM LOCKNUT 5/16
17	771239	4	BHCS 5/16 - 18 x 3/4
16	783545	4	STRAP
15	783813	1	MAST COVER - UPPER
14	783505	1	MAST COVER - CENTER
13	783504	1	MAST COVER - LOWER
12	783582	1	SPREADER PLATE ASSEMBLY
11	783679	1	OUTRIGGER ASSEMBLY
10	783590	1	MX WINCH ASSY
9	780819	1	MAST BRACE (LEFT HAND)
8	780820	1	MAST BRACE (RIGHT HAND)
7	783653	1	STD FORK ASSEMBLY
6	783533	1	CARRIAGE ASSEMBLY
5	783826	1	TOP MAST ASSEMBLY
4	783825	3	CENTER MAST ASSEMBLY
3	783824	1	BOTTOM MAST ASSEMBLY
2	783666	2	LEG ASSEMBLY
1	783659	1	BASE ASSEMBLY
Item/Part No./Qty Description			
Parts List			



783659 – BASE ASSEMBLY



8	771035	1	HHCS 1/4-20 x 2
7	772076	1	INSERT LOCKNUT 1/4-20
6	783874	1	MAST LATCH
5	772502	8	INSERT LOCKNUT 5/16-18
4	771239	8	BHSC 5/16-18 X 3/4
3	773098	2	CASTER SPACER
2	779005	2	5" SWIVEL CASTER
1	783658	1	BASE WELDMENT
	Item	Part No.	Qty
		Description	Parts List

MAST ASSEMBLY, UPPER

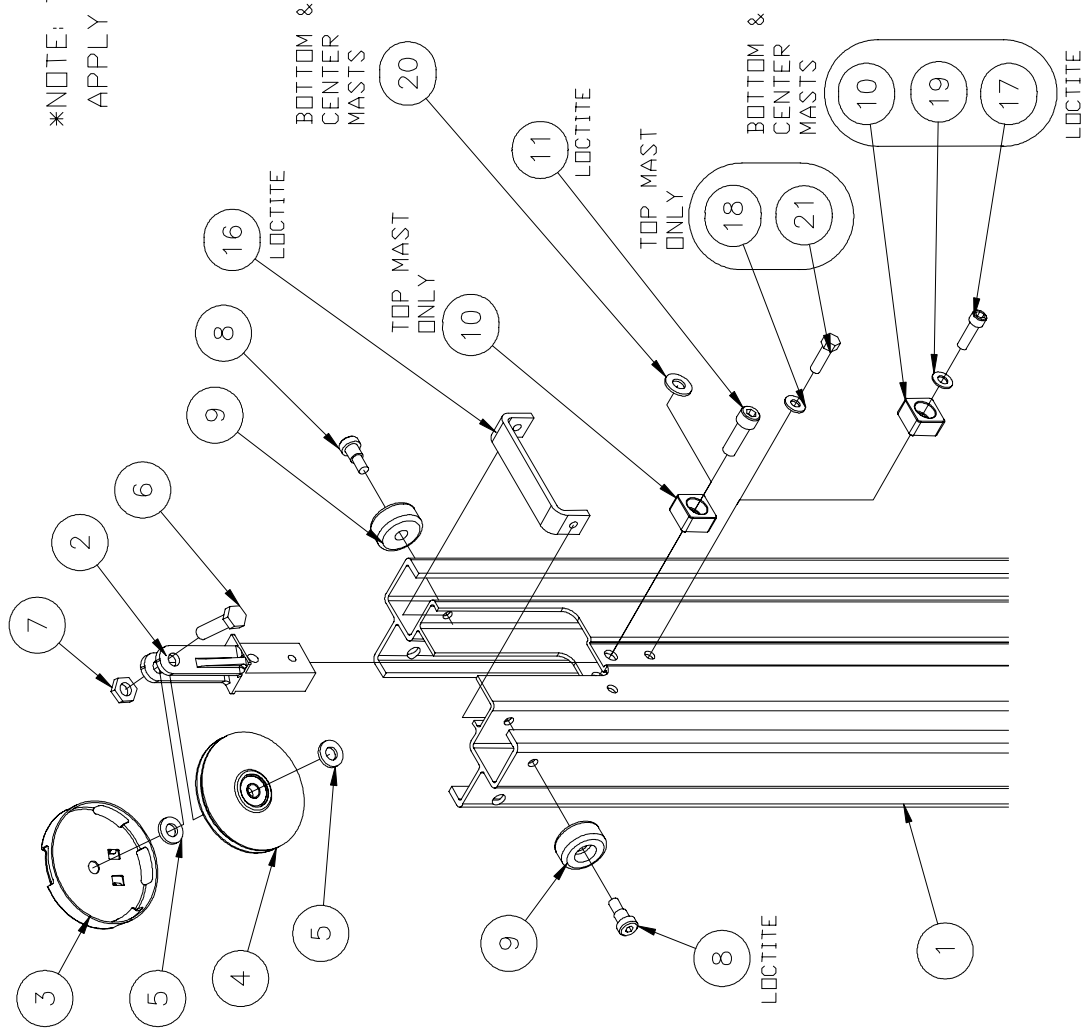
*NOTE: TORQUE ITEM 11 TO 125 FT-LBS
APPLY LOCTITE 242 WHERE SHOWN

APPLICATION CHART

ITEM	TOP MAST	CENTER MAST	BOTTOM MAST
21	QTY. 1	QTY. 0	QTY. 0
20	QTY. 0	QTY. 1	QTY. 3
19	QTY. 0	QTY. 1	QTY. 1
18	QTY. 1	QTY. 0	QTY. 0
17	QTY. 0	QTY. 1	QTY. 1
16	QTY. 0	QTY. 1	QTY. 1
10	QTY. 3	QTY. 3	QTY. 1
9	QTY. 2	QTY. 4	QTY. 2
8	QTY. 2	QTY. 4	QTY. 2

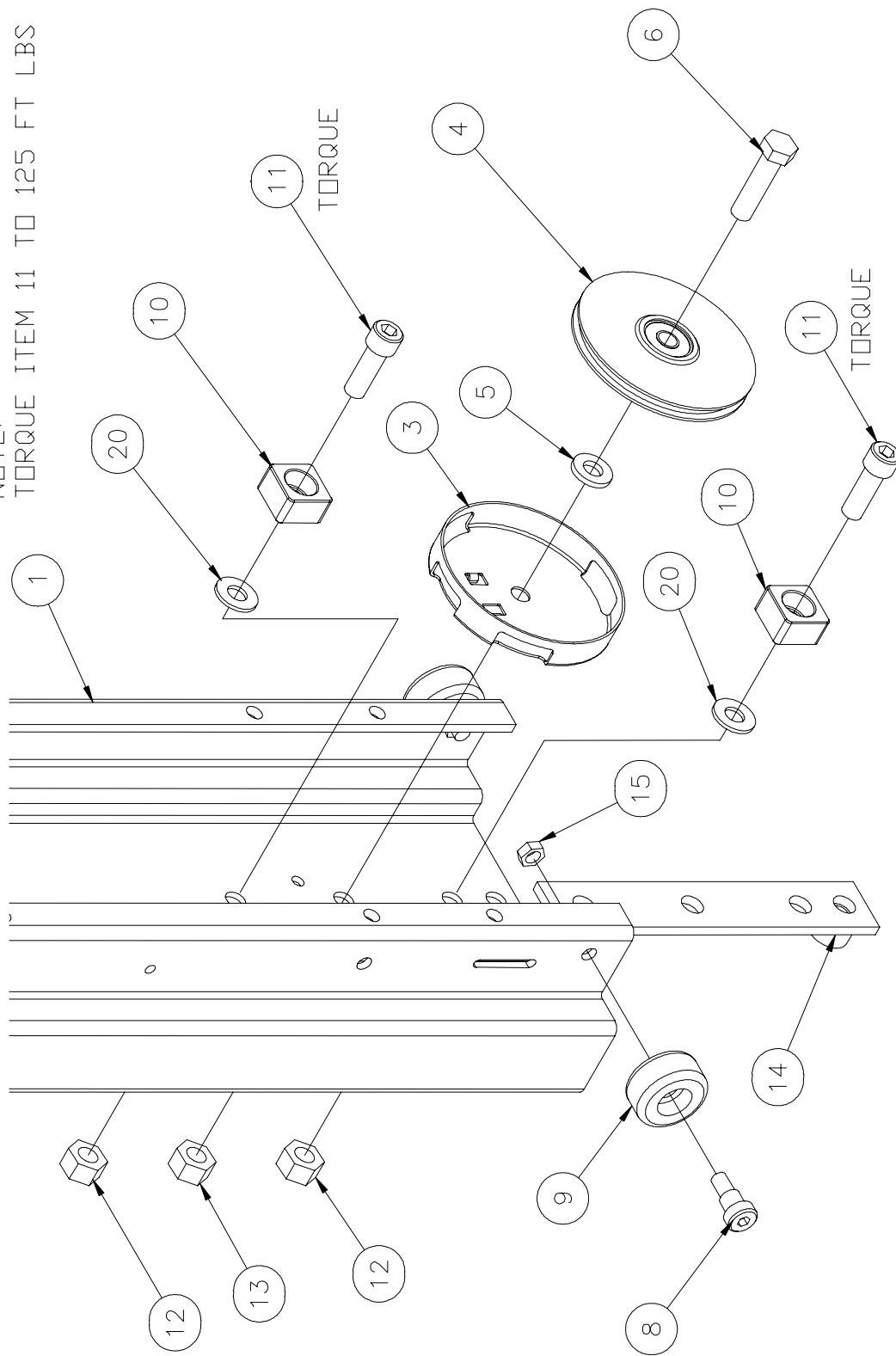
*SEE APPLICATION CHART

21	771060	×	HHCS 3/8 UNC x 1-1/4	×
20	773060	×	FLAT WASHER 1/2	×
19	773022	×	HARD FLAT WASHER 3/8	×
18	773575	×	LOCK WASHER 3/8	×
17	771234	×	SHCS 3/8UNC X 1	×
16	783649	×	TOP REINFORCEMENT BRACKET	×
15	772350	2	INSERT JAM LOCK NUT 3/8UNC	
14	783503	1	PULLEY BACKING PLATE	
13	772800	1	INSERT LOCK NUT 12mm	
12	772357	2	INSERT LOCK NUT 1/2UNC	
11	771257	3	SHCS 1/2UNC X 1-1/2	
10	783575	×	MAST STOP BLOCK	×
9	783540	×	MAST ROLLER	×
8	771350	×	SHOULDER BOLT 1/2 x 1/2	×
7	772505	1	JAM LOCK NUT 12mm	
6	771161	2	HEX HEAD BOLT 12mm X 40mm	
5	783616	3	PULLEY SPACER	
4	783812	2	PULLEY ASSEMBLY	
3	783536	2	PULLEY GUARD	
2	783537	1	PULLEY MOUNT	
1	783808	1	MAST	

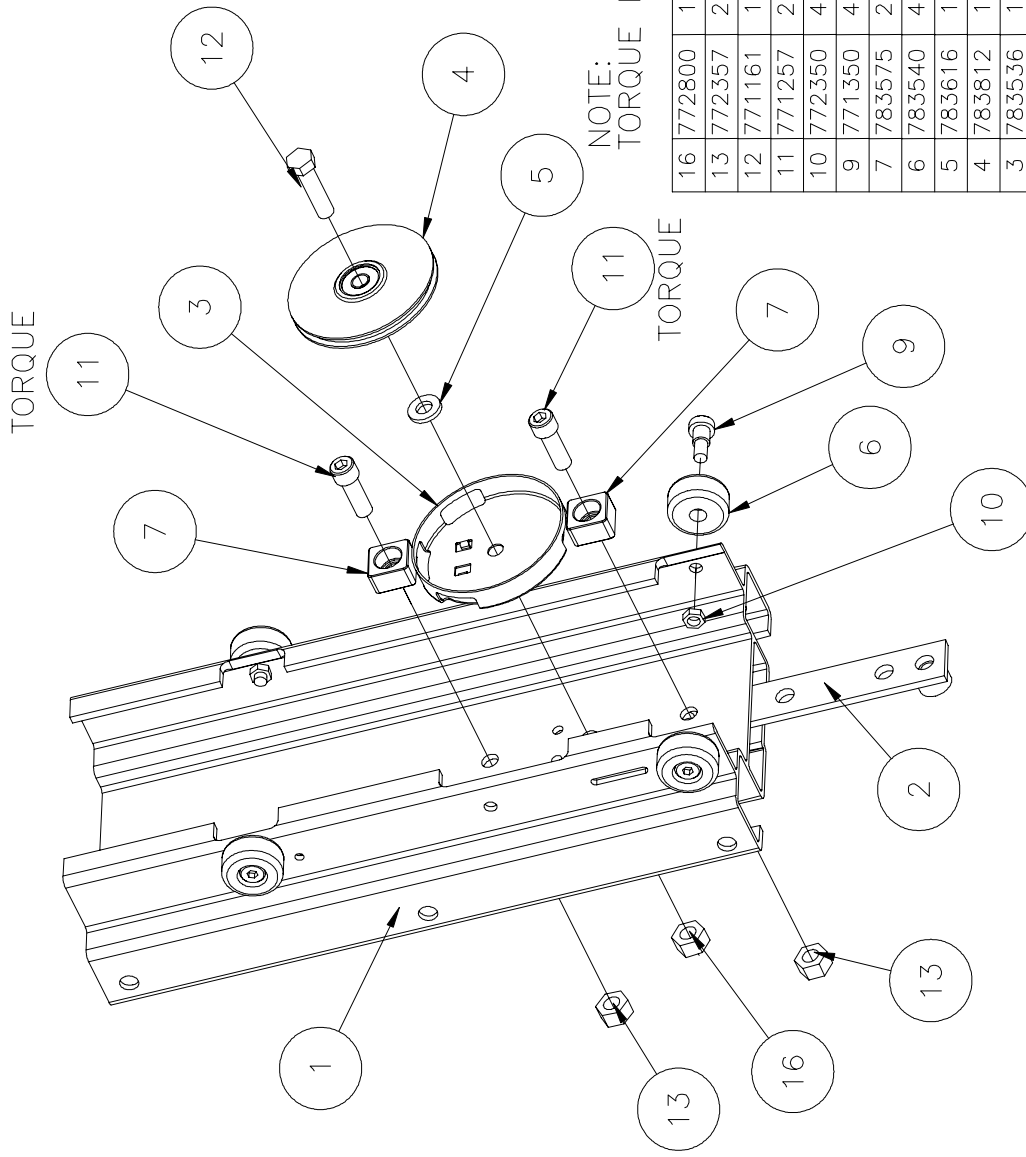


MAST ASSEMBLY, LOWER

NOTE:
TORQUE ITEM 11 TO 125 FT LBS



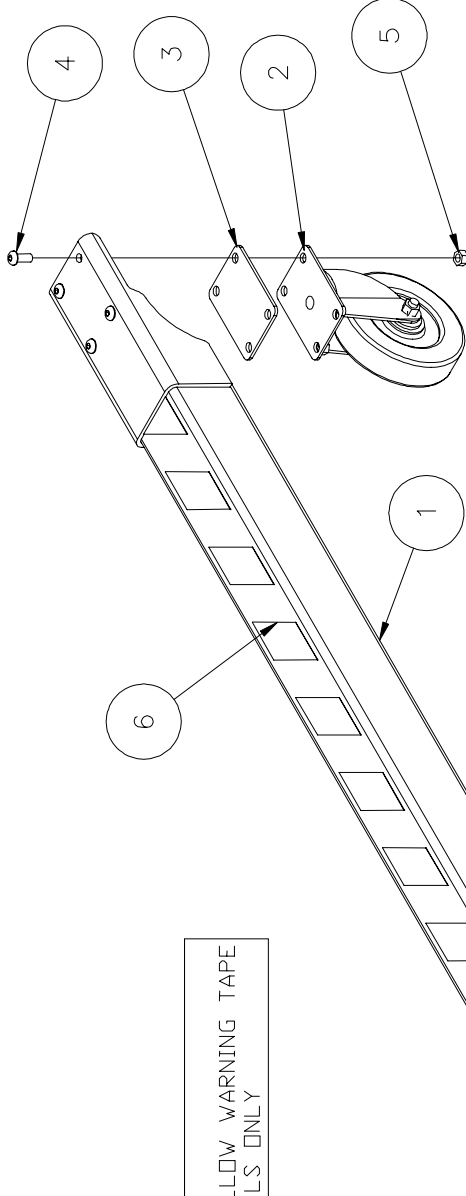
783533 – CARRIAGE ASSEMBLY



NOTE:
TORQUE ITEM 11 TO 125 FT-LBS

16	772800	1	INSERT LOCKNUT	12mm
13	772357	2	INSERT LOCKNUT	1/2-13
12	771161	1	HCSS-12mm X	40mm
11	771257	2	SHCS	1/2-13 X 1-1/2
10	772350	4	INSERT JAM LOCKNUT	3/8-16
9	771350	4	SHOULDER BOLT	1/2 X 1/2
7	783575	2	STOP BLOCK	
6	783540	4	MAST ROLLER	
5	783616	1	PULLEY SPACER	
4	783812	1	PULLEY ASSEMBLY	
3	783536	1	PULLEY GUARD	
2	783503	1	BACKING PLATE WELDMENT	
1	783534	1	CARRIAGE	
Item	Part No.	Qty	Description	Parts List

783678 / 783666 – LEG ASSEMBLY



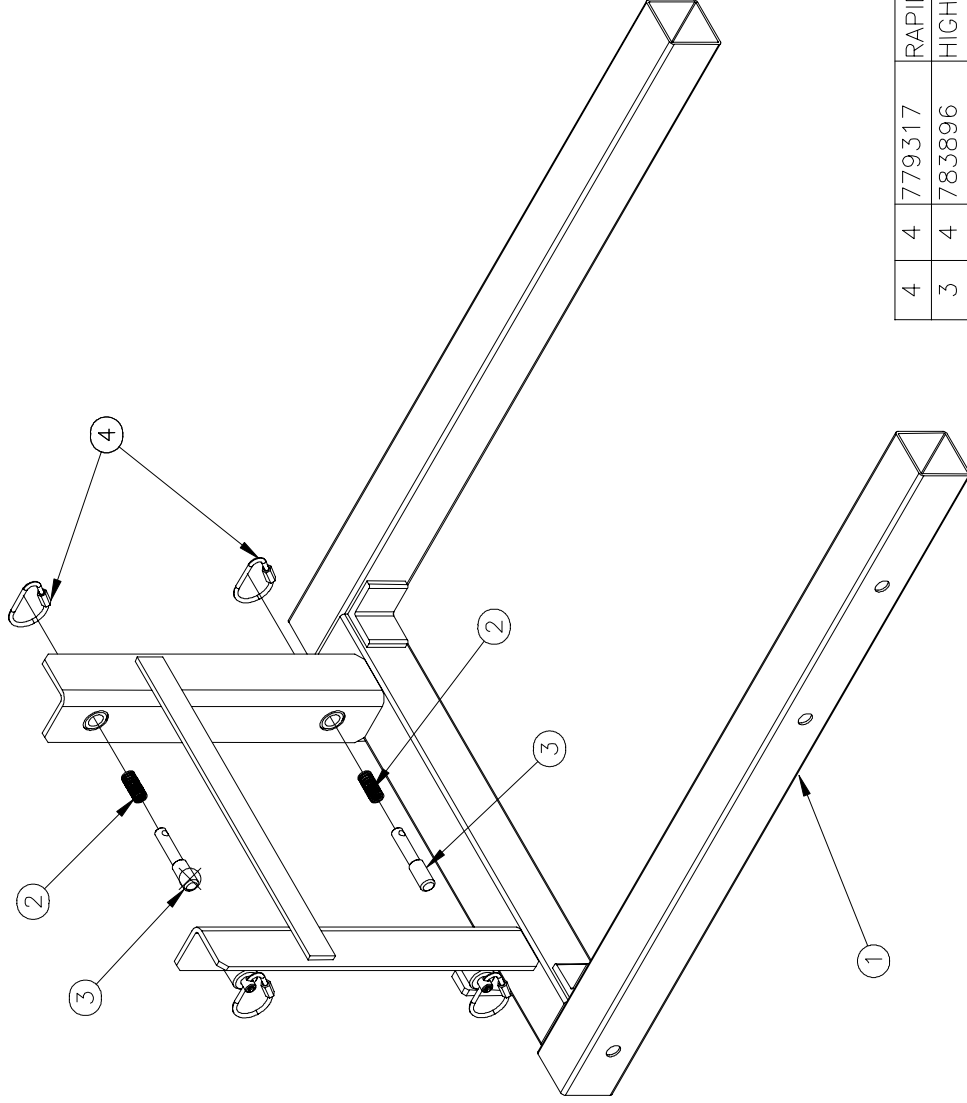
NOTE:
BLACK & YELLOW WARNING TAPE
SOLD IN ROLLS ONLY

6	778352	*	2" BLK/YEL WARNING TAPE (SEE NOTE)	*
5	772502	4	LOCKNUT 5/16-18	
4	771239	4	BHCS 5/16-18 X 3/4	
3	783098	1	SPACER PLATE	
2	779005	1	SWIVEL CASTER	
1	*	1	FRONT LEG WELDMENT	*
Item	Part No.	Qty	Description	
Parts List				

** SEE APPLICATION CHART

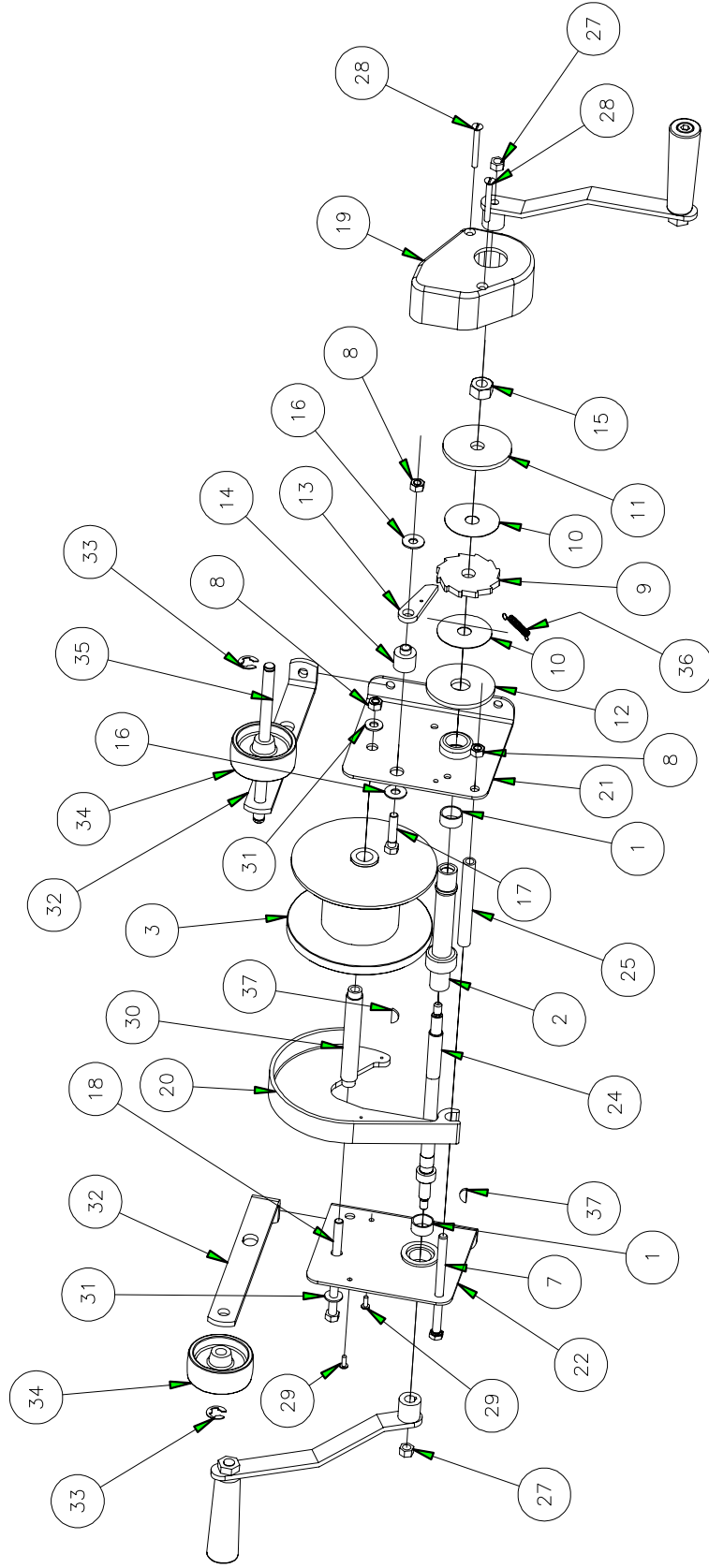
APPLICATION CHART	
ITEM	MODEL 2010
1	783676
	MODEL 2015, 2020, 2025
	783665

783653 – STANDARD FORK ASSEMBLY



4	4	779317	RAPID LINK PEAR SHAPED	1/8φ
3	4	783896	HIGH STRENGTH PLUNGER	
2	4	776212	SPRING	
1	1	783547	FORK WELDMENT	
Item Qty	PART #	DESCRIPTION		
Parts List				

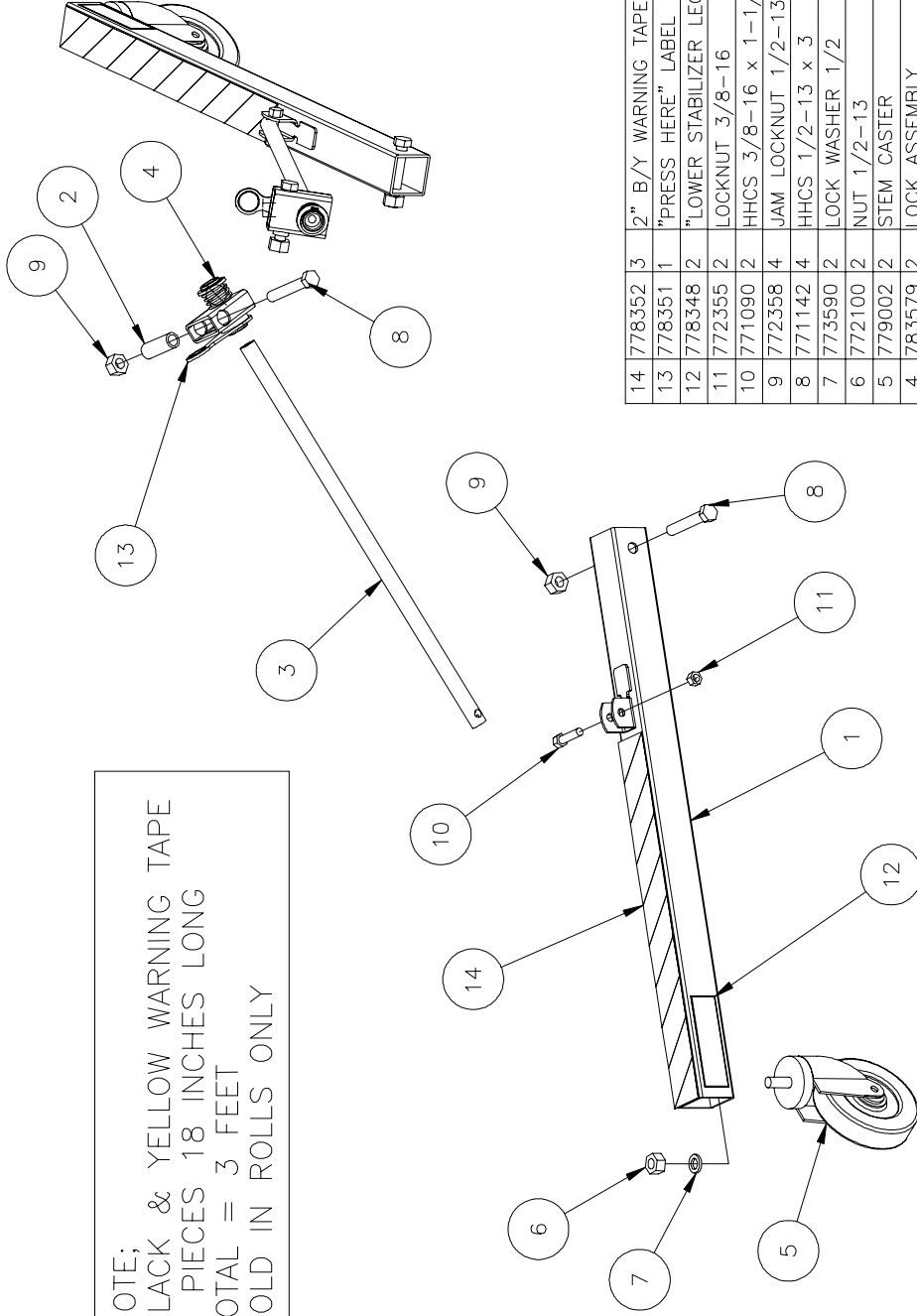
783590 – MX WINCH ASSEMBLY



Item	Part No.	Qty	Description	Item	Part No.	Qty	Description
37	774074	2	#406 WOODRUFF KEY	11	780212	1	PLATE – OUTER
36	783621	1	RATCHET DOG SPRING	10	783615	2	BRAKE DISC
35	782619	1	ROLLER SHAFT	9	780214	1	RATCHET WHEEL
34	779012	2	ROLLER – 3"	8	772355	3	LOCKNUT 3/8-16
33	776072	2	RETAINER 5100-50	7	771111	1	HHCS 3/8-16 X 5-1/2
32	783609	2	SUPPORT ARM	3	783613	1	DRUM ASSEMBLY
31	773040	2	WASHER, FL 3/8	2	780205	1	PINION SHAFT
30	783606	1	DRUM SPACER SHAFT	1	775092	2	BUSHING
29	771800	2	FHSM #10 X 1/2	Item	Part No.	Qty	Description
28	771290	2	FHMS 1/4-20 X 2-1/4	Item	Part No.	Qty	Description
27	772350	2	JAM LOCKNUT 3/8-16	Item	Part No.	Qty	Description
26	783608	2	WINCH HANDLE ASSEMBLY	Item	Part No.	Qty	Description
25	783599	1	SPACER	Item	Part No.	Qty	Description
24	783600	1	DRIVE SHAFT	Item	Part No.	Qty	Description
22	783593	1	SIDE PLATE WELDMENT – LH	Item	Part No.	Qty	Description
21	783596	1	SIDE PLATE WELDMENT – RH	Item	Part No.	Qty	Description
20	783611	1	COVER – GEAR	Item	Part No.	Qty	Description
19	783612	1	COVER – BRAKE	Item	Part No.	Qty	Description
18	771105	1	HHCS 3/8-16 X 6	Item	Part No.	Qty	Description
17	771100	1	HHCS 3/8-16 X 1-3/4	Item	Part No.	Qty	Description
16	773042	2	WASHER FL 5/16	Item	Part No.	Qty	Description
15	772375	1	LOCKNUT 5/8-18	Item	Part No.	Qty	Description
14	783598	1	SPACER	Item	Part No.	Qty	Description
13	780216	1	RATCHET DOG	Item	Part No.	Qty	Description
12	780211	1	PLATE – INNER	Item	Part No.	Qty	Description
11	780214	1	LOCKNUT 3/8-16 X 1-3/4	Item	Part No.	Qty	Description
10	771111	1	HHCS 3/8-16 X 5-1/2	Item	Part No.	Qty	Description
9	780214	1	RATCHET WHEEL	Item	Part No.	Qty	Description
8	772355	3	LOCKNUT 3/8-16	Item	Part No.	Qty	Description
7	771111	1	HHCS 3/8-16 X 5-1/2	Item	Part No.	Qty	Description
6	780205	1	PINION SHAFT	Item	Part No.	Qty	Description
5	775092	2	BUSHING	Item	Part No.	Qty	Description
4	783613	1	DRUM ASSEMBLY	Item	Part No.	Qty	Description
3	783613	1	DRUM ASSEMBLY	Item	Part No.	Qty	Description
2	780205	1	PINION SHAFT	Item	Part No.	Qty	Description
1	775092	2	BUSHING	Item	Part No.	Qty	Description

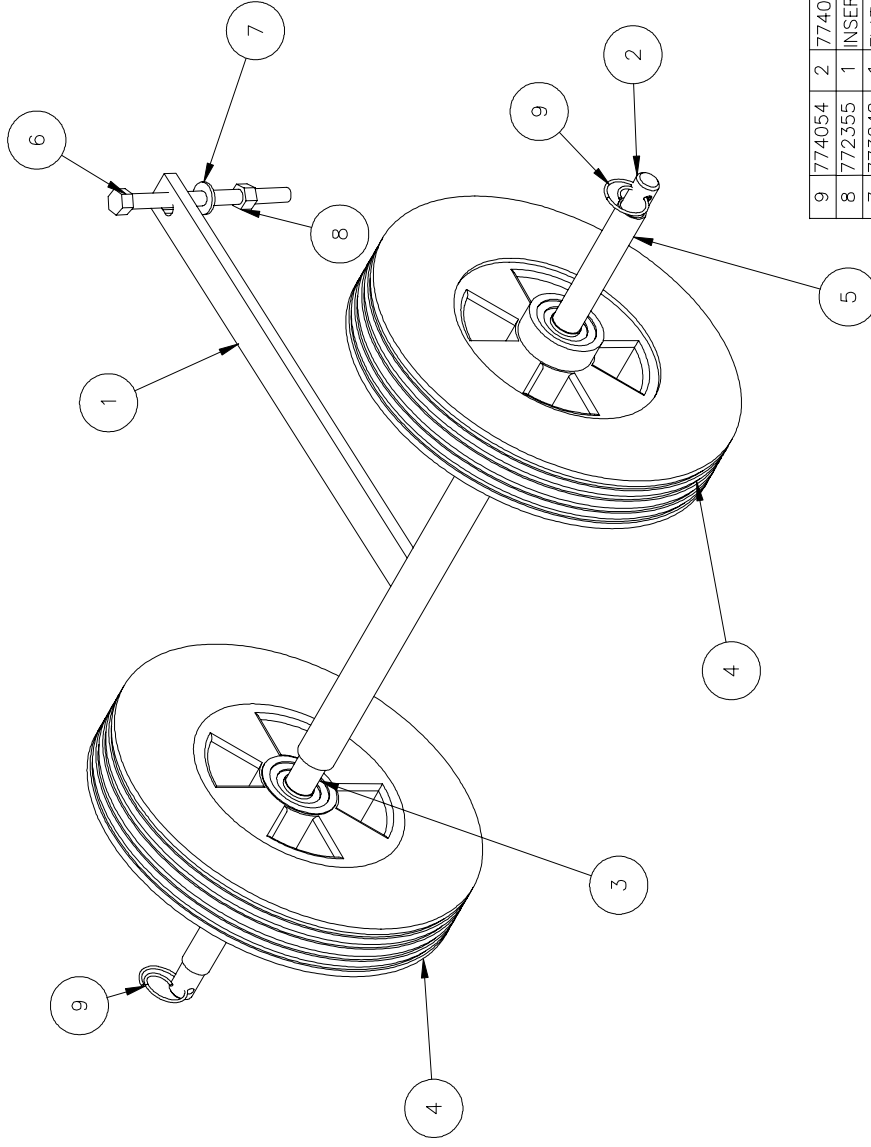
783679 – OUTRIGGER ASSEMBLY

NOTE:
 BLACK & YELLOW WARNING TAPE
 2 PIECES 18 INCHES LONG
 TOTAL = 3 FEET
 SOLD IN ROLLS ONLY



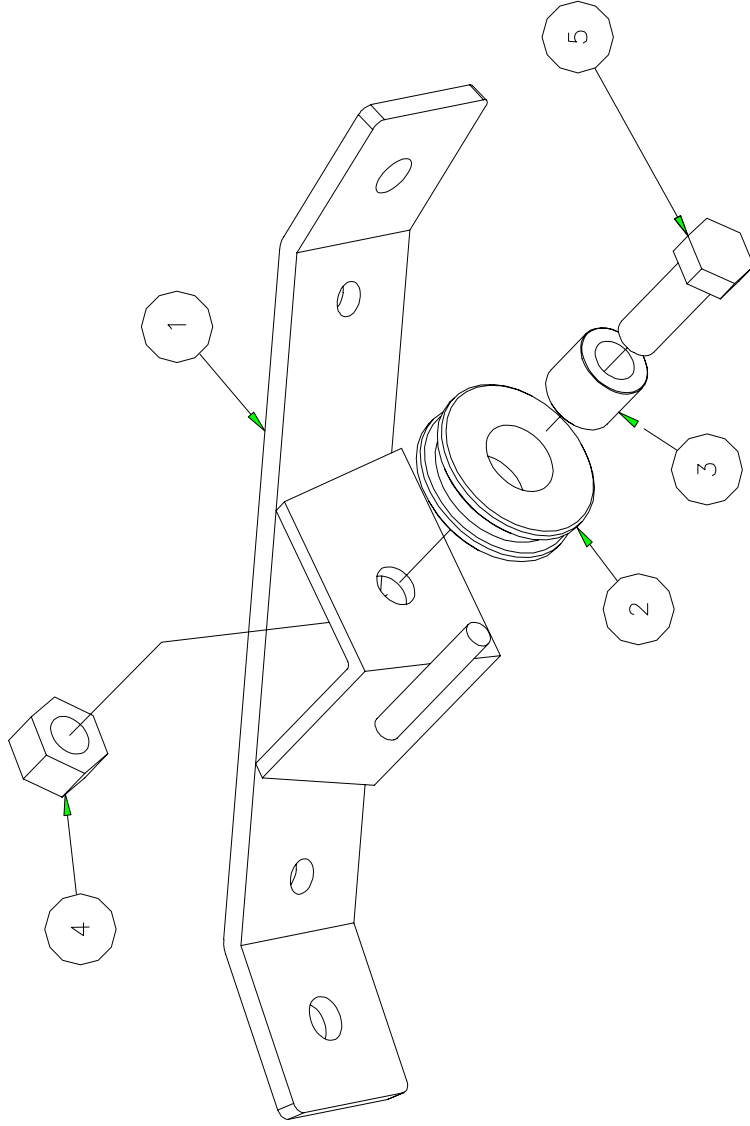
14	778352	3	2" B/Y WARNING TAPE (SEE NOTE)
13	778351	1	"PRESS HERE" LABEL
12	778348	2	"LOWER STABILIZER LEG" LABEL
11	772355	2	LOCKNUT 3/8-16
10	771090	2	HHCS 3/8-16 x 1-1/2
9	772358	4	JAM LOCKNUT 1/2-13
8	771142	4	HHCS 1/2-13 x 3
7	773590	2	LOCK WASHER 1/2
6	772100	2	NUT 1/2-13
5	779002	2	STEM CASTER
4	783579	2	LOCK ASSEMBLY
3	783680	2	BRACE TUBE
2	783544	2	SPACER
1	783528	2	LEG WELDMENT
Item	Part No.	Qty	Description
			Parts List

783667 – 10" WHEEL KIT – OPTIONAL



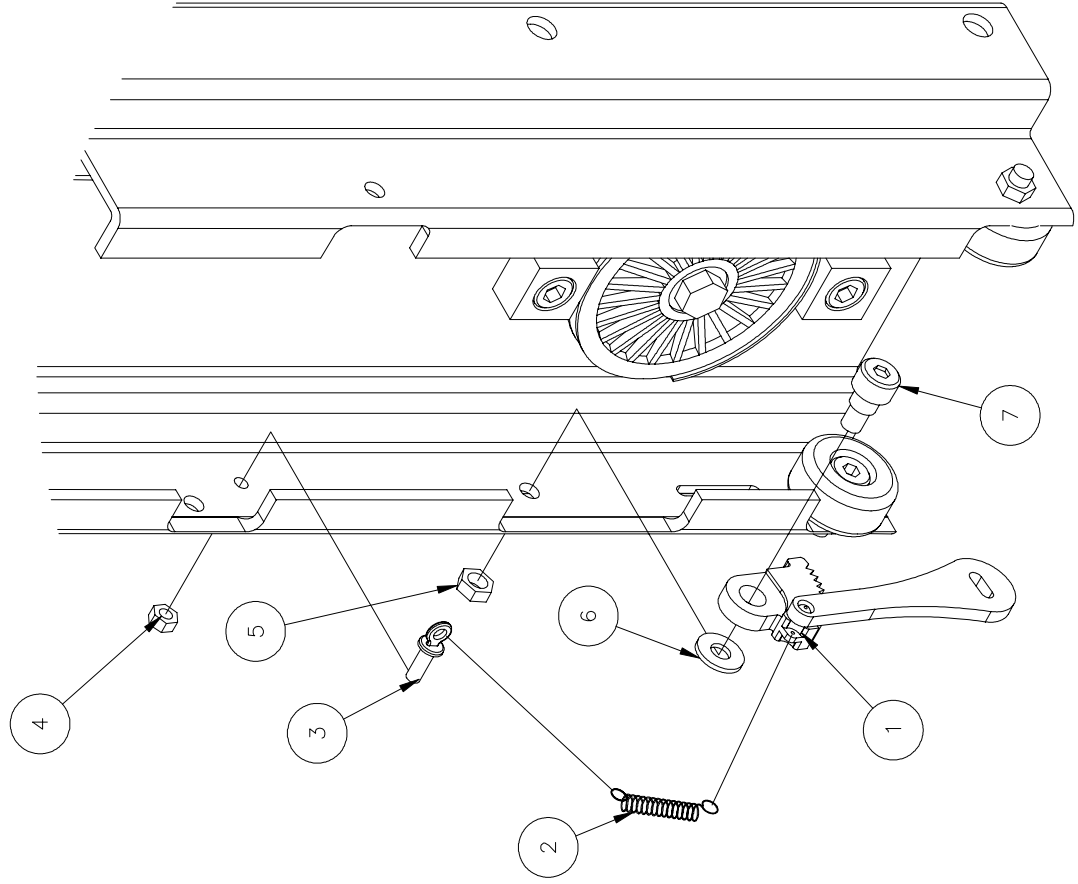
9	774054	2	774054-1125 RING COTTER	1-1/8ø
8	772355	1	INSERT LOCKNUT	3/8-16
7	773040	1	FLAT WASHER	3/8
6	771103	1	HHCS	3/8-16 X 4
5	774039	2	OUTSIDE AXLE SPACER	
4	779011	2	10" WHEEL	
3	774040	2	INSIDE AXLE SPACER	
2	783563	1	AXLE	
1	783564	1	AXLE SUPPORT WELDMENT	
Item/Part No./Qty		Description		
783667 Parts List				

783582 – SPREADER PLATE ASSEMBLY



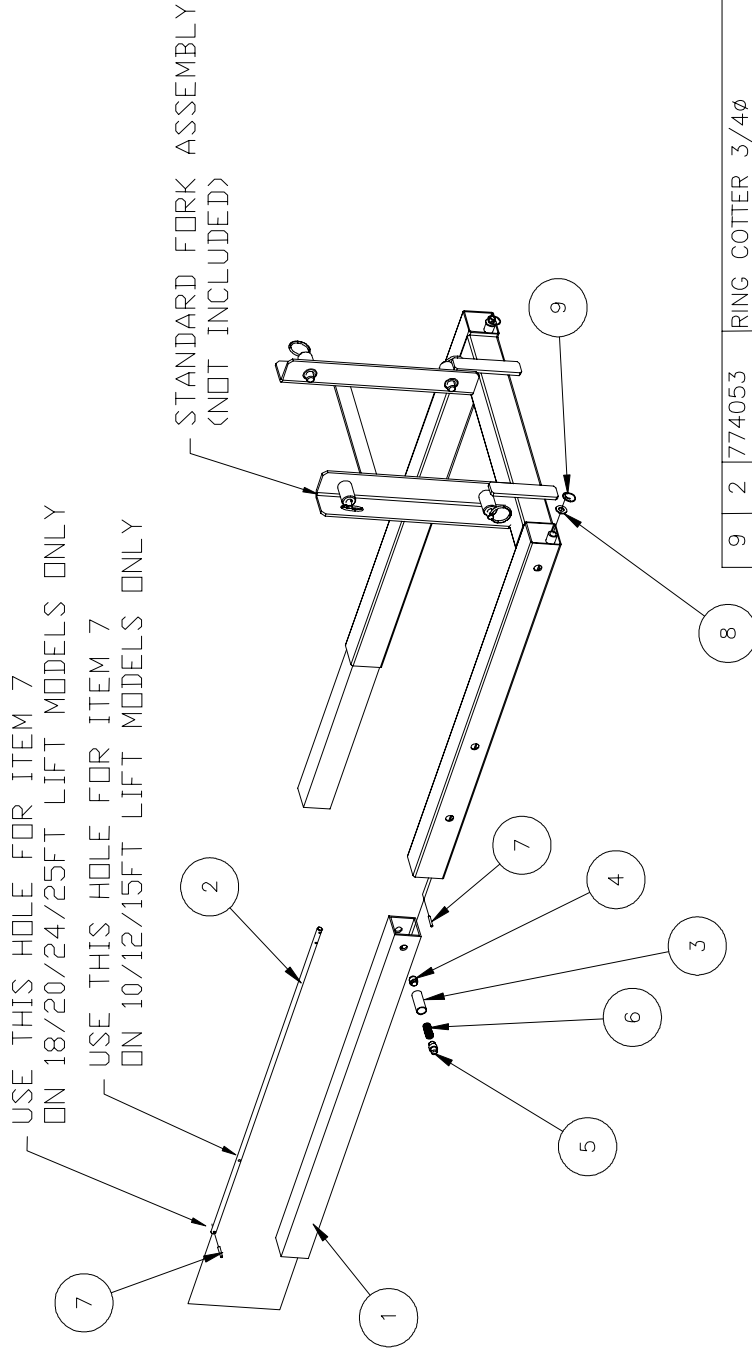
5	771120	1	HHCS 1/2-13 X 1-1/2
4	772357	1	INSERT LOCKNUT 1/2-13
3	782960	1	BUSHING
2	780025	1	2" ROLLER
1	783581	1	SPREADER PLATE WELDMENT
Item	Part No.	Qty	Description
			Parts List

BRAKE INSTALLATION – OPTIONAL



7	771350	1	SHOULDER BOLT 1/2 X 3/8
6	773042	1	5/16 FLAT WASHER
5	772350	1	INSERT JAM LOCKNUT 3/8-16
4	772076	1	INSERT LOCKNUT 1/4-20
3	779900	1	ADJUSTING SCREW
2	783530	1	EXTENSION SPRING
1	783692	1	BRAKE CAM & WEIGHT ASSEMBLY
Item	Part No.	Qty	Description
Parts List			

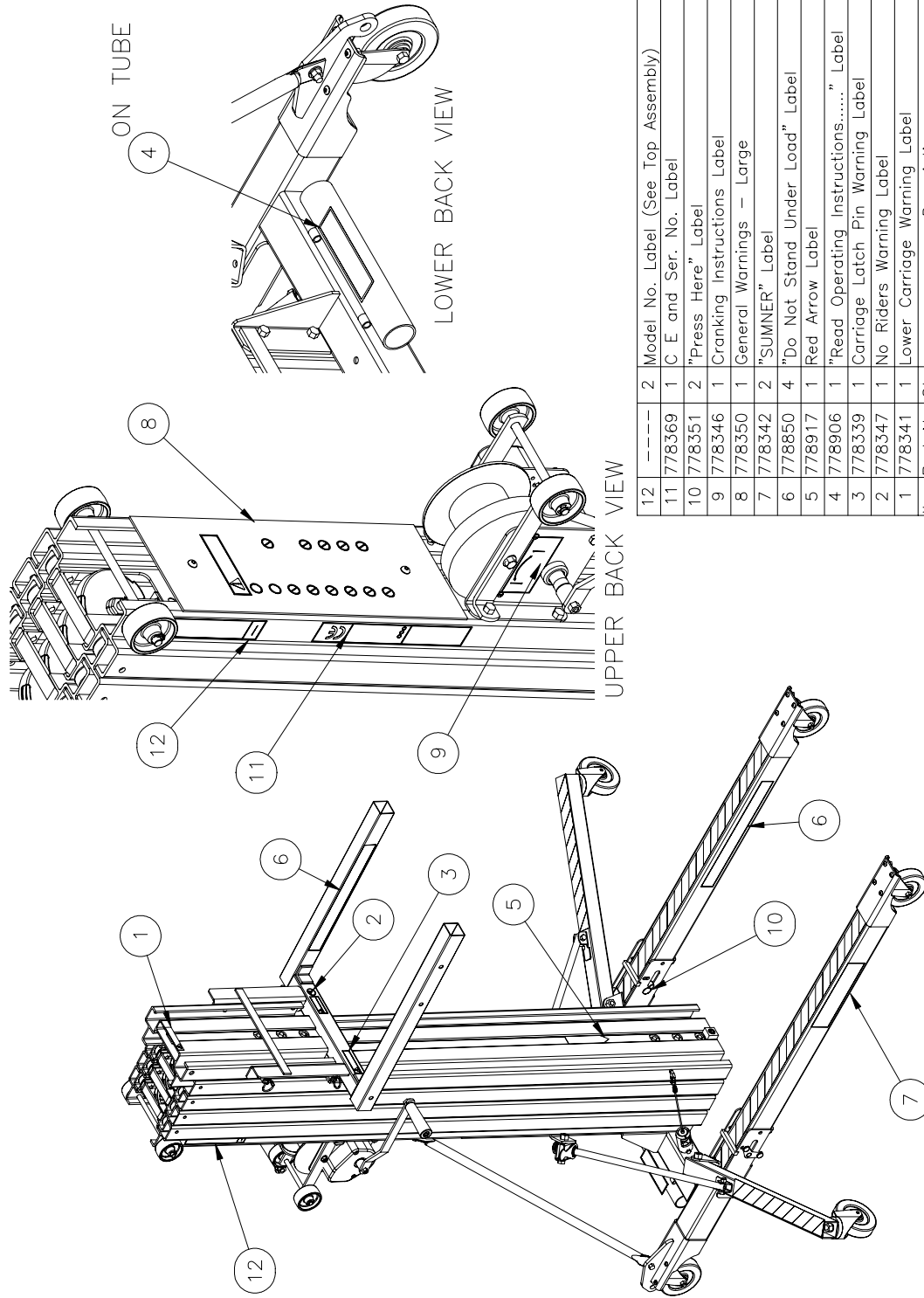
783691 - FORK EXTENSION KIT – OPTIONAL



NOTE CORRECT POSITION FOR ROLL PIN IN LIMIT ROD FOR EACH MODEL, USING THE OUTSIDE HOLE FOR 10-15FT MODELS MAY CAUSE AN UNSTABLE CONDITION WITH A LARGE LOAD. USE OF FORK EXTENSIONS REDUCES THE RATED CAPACITY TO 200 POUNDS AT THE END. REFER TO OWNERS MANUAL.

9	2	774053	RING COTTER 3/4φ
8	2	773042	WASHER 5/16
7	4	774092	ROLL PIN
6	2	776212	SPRING
5	2	783509	LOCK PIN
4	2	783508	PIN
3	2	774035	SPACER
2	2	783589	LIMIT ROD
1	2	783588	EXTENSION TUBE
Item	Qty	PART #	DESCRIPTION
			Parts List

COMMON LABEL PLACEMENT



12	----	2	Model No. Label (See Top Assembly)
11	778369	1	C E and Ser. No. Label
10	778351	2	"Press Here" Label
9	778346	1	Cranking Instructions Label
8	778350	1	General Warnings - Large
7	778342	2	"SUMNER" Label
6	778850	4	"Do Not Stand Under Load" Label
5	778917	1	Red Arrow Label
4	778906	1	"Read Operating Instructions....." Label
3	778339	1	Carriage Latch Pin Warning Label
2	778347	1	No Riders Warning Label
1	778341	1	Lower Carriage Warning Label
Item	Part No.	Qty	Description
			Parts List